



Automated
Machine
Systems, Inc.

Precision Fastening System

PF-401 Data Sheet

General Description

The PF-401 offers a semi-standard platform for precision fastening applications that require sophisticated torque and angle control. It is a versatile, general purpose machine that offers semi-automatic operation, outstanding productivity and is easily reconfigurable for changing future requirements.

The PF-401 Series features transducerized, DC electric torque control screwdrivers and nutrunners that work with sophisticated controllers for applications covering a torque range from 10 to 310 in-lb. (1.1 to 35 Nm) across the full range of equipment. The new machines generate fast cycle times and offer automatic or semi-automatic functionality.

Additional features of the PF-401 include a built-in PLC control with ladder logic creation, monitoring and storage capability. Programmable I/O and data collection enable stringent specifications to be met with ease and to be changed, should the necessity arise. History and monitoring functions record fastening results, torque curves and system error data. A multi-spindle synchronization is capable of controlling up to 10 tools.

The PF-401 has been developed to meet the needs of manufacturers requiring tight tolerances, high levels of error-proofing and traceability at a medium price point in a variety of assembly operations.

Warranty

The AMS PF-401 carries a one-year warranty on all commercial components, for any defects in materials or workmanship.

Note: This warranty applies to equipment purchased and operated in the United States. For warranty information on units purchased and/or operated outside the U.S. contact your local representative.

Electrical Specifications

Power Requirements: 115V AC, 60 Hz, 15A

Mechanical Specifications

Pneumatic Requirements:
Clean, dry, non-lubricated air at
60 psi minimum.

Machine Dimensions: 35" x 29" x 76"

Work Table Height: Configurable

*Note: Dimensions are approximate.
All specifications subject to change
without notice.*

Ordering Information

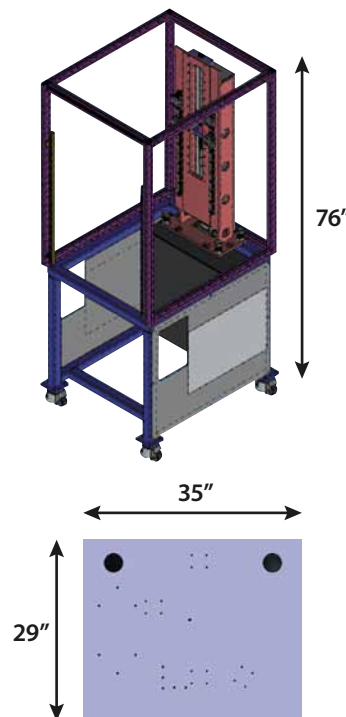
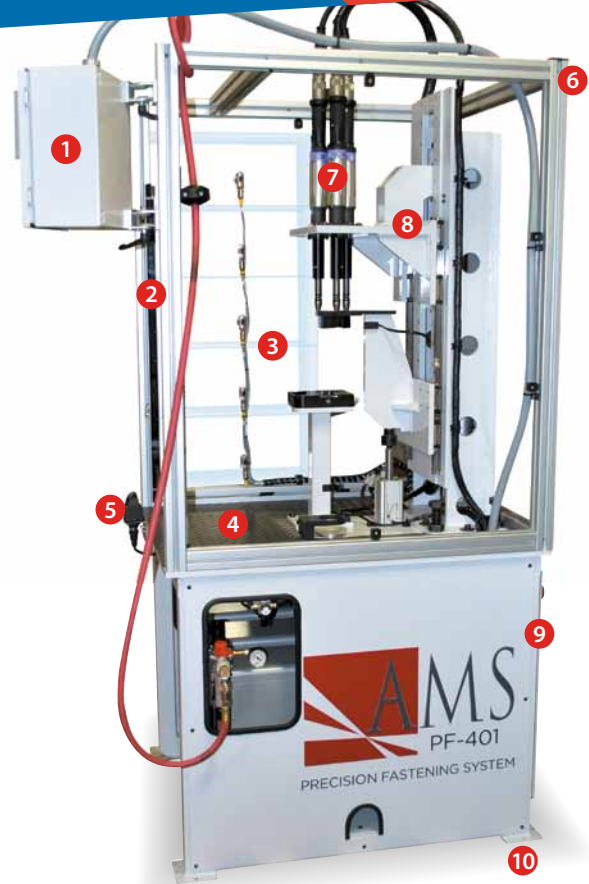
Note: All sales shall be subject to the Supplier's terms and conditions of sale as described in AMS's quotations and sales contracts.

The PF-401 may be ordered as base unit only to accept the user's custom fixturing, or as a complete system, tooling and ready to run. Please call or email for pricing.

Base Unit Includes: Keyence light curtain, Allen-Bradley buttons, Omron PLC, SMC pneumatics, Proface HMI.

Options

Available Options Include: Lexan containment system



- 1 HMI for operator messaging, machine setup, and advanced controls.
- 2 Light curtains for operator safety.
- 3 Optional defective part containment system.
- 4 Removable tooling plate.
- 5 Separate operator controls for cycle start, machine reset, and emergency stop.
- 6 Attractive upper aluminum frame with Lexan panels.
- 7 Torque and angle controllers and drivers.
- 8 Precision guided ways and bearings for smooth, controlled vertical motion.
- 9 Sturdy tubular steel frame base.
- 10 Adjustable, lockable casters. (Not Shown)



Automated
Machine
Systems, Inc.

513-771-3525 • ams-machines.net
10525 Chester Rd., Unit 3 • Cincinnati, Ohio 45245