



Automated
Machine
Systems, Inc.

Precision Leak Test System

LT-201 Data Sheet

General Description

The LT-201 is a semi-standard platform for leak testing. It meets customer needs for lower cost, improved capability, and minimum floor space. The machine can also be reconfigured for future requirements.

The LT-201 Series features steel De-Sta-Co clamps that fixture and seal off inlets for testing. The LT-201 series offers manual functionality with good cycle times.

The LT-201 uses a Zaxis Isaac HD test instrument with history and monitoring functions record leak test results and system error data.

The LT-201 has been developed to meet the needs of manufacturers requiring tight tolerances, high levels of error-proofing and traceability at a low cost in a variety of assembly operations.

Warranty

The AMS LT-201 carries a one-year warranty on all commercial components, for any defects in materials or workmanship.

Note: This warranty applies to equipment purchased and operated in the United States. For warranty information on units purchased and/or operated outside the U.S. contact your local representative.

Electrical Specifications

Power Requirements: 115V AC, 60 Hz, 15A

Mechanical Specifications

Pneumatic Requirements: Clean, dry, non-lubricated air at 80 psi minimum.

Machine Dimensions: 24" x 24" x 13"

Note: Dimensions are approximate. All specifications subject to change without notice.

Ordering Information

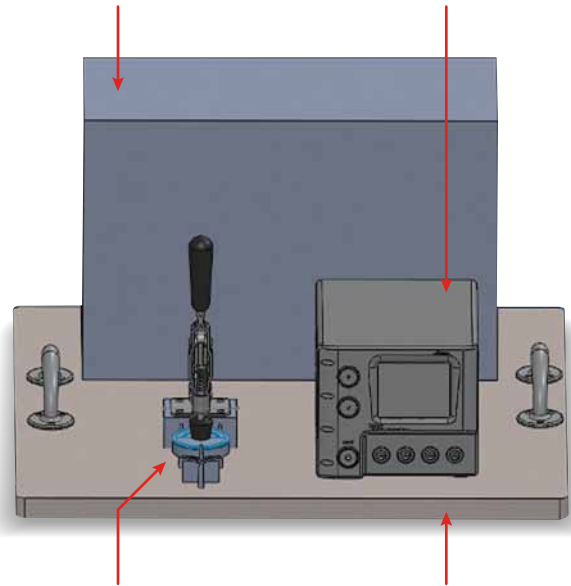
Note: All sales shall be subject to the Supplier's terms and conditions of sale as described in AMS's quotations and sales contracts.

The LT-201 may be ordered as base unit only to accept the user's custom fixturing, or as a complete system, tooled and ready to run. Please call or email for pricing.

Base Unit Includes: Zaxis Isaac HD Multi-Function Leak Tester

Self-contained electronics and pneumatics unit.

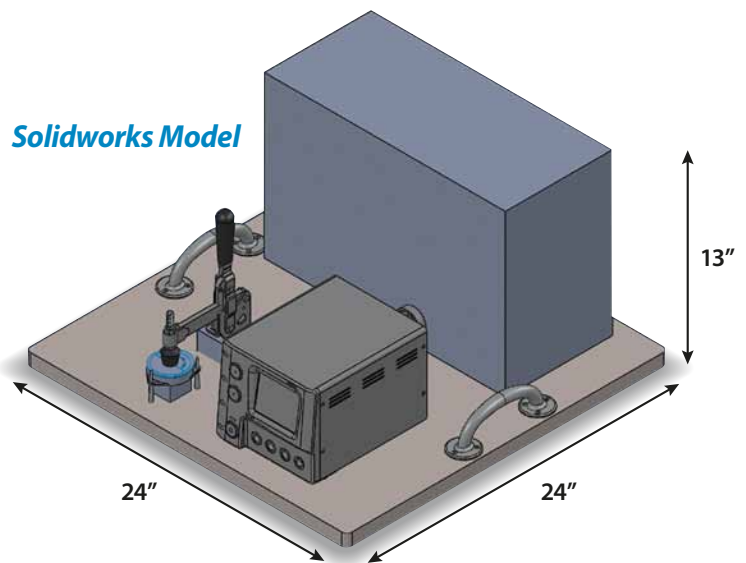
Zaxis Isaac HD Multi-Function Leak Tester.



Customizable fixturing with manual clamps to secure the test component.

Rugged Steel/Aluminum base with attractive steel carrying handles.

Solidworks Model



Automated
Machine
Systems, Inc.

513-771-3525 • ams-machines.net
10525 Chester Rd., Unit 3 • Cincinnati, Ohio 45245