



Automated  
Machine  
Systems, Inc.

# Precision Leak Test System

## LT-401 Data Sheet

### General Description

The LT-401 offers a semi-standard platform for leak testing. It is a versatile, general purpose machine that offers semi-automatic operation, outstanding productivity and is easily reconfigurable for changing future requirements.

The LT-401 Series features pneumatic cylinders that accurately fixture and seal off inlets for testing as well as multiple sensors that make sure the test component is properly aligned in the LT-401. The new machines generate fast cycle times and offer automatic or semi-automatic functionality.

Additional features of the LT-401 include a built-in PLC control with ladder logic creation, monitoring and storage capability. Programmable I/O and data collection enable stringent specifications to be met with ease and to be changed, should the necessity arise. History and monitoring functions record leak test results and system error data.

The LT-401 has been designed for applications requiring pressure decay, vacuum decay and mass flow leak test systems to insure a high quality leak test operation.

### Warranty

The AMS LT-401 carries a one-year warranty on all commercial components, for any defects in materials or workmanship.

*Note: This warranty applies to equipment purchased and operated in the United States. For warranty information on units purchased and/or operated outside the U.S. contact your local representative.*

### Electrical Specifications

**Power Requirements:** 115V AC, 60 Hz, 15A

### Mechanical Specifications

**Pneumatic Requirements:** Clean, dry, non-lubricated air at 80 psi minimum.

**Machine Dimensions:** 37" x 37" x 72"; **Work Table Height:** Configurable

*Note: Dimensions are approximate. All specifications subject to change without notice.*

### Ordering Information

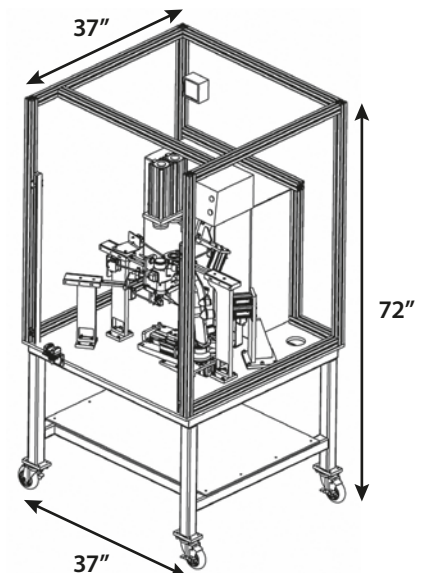
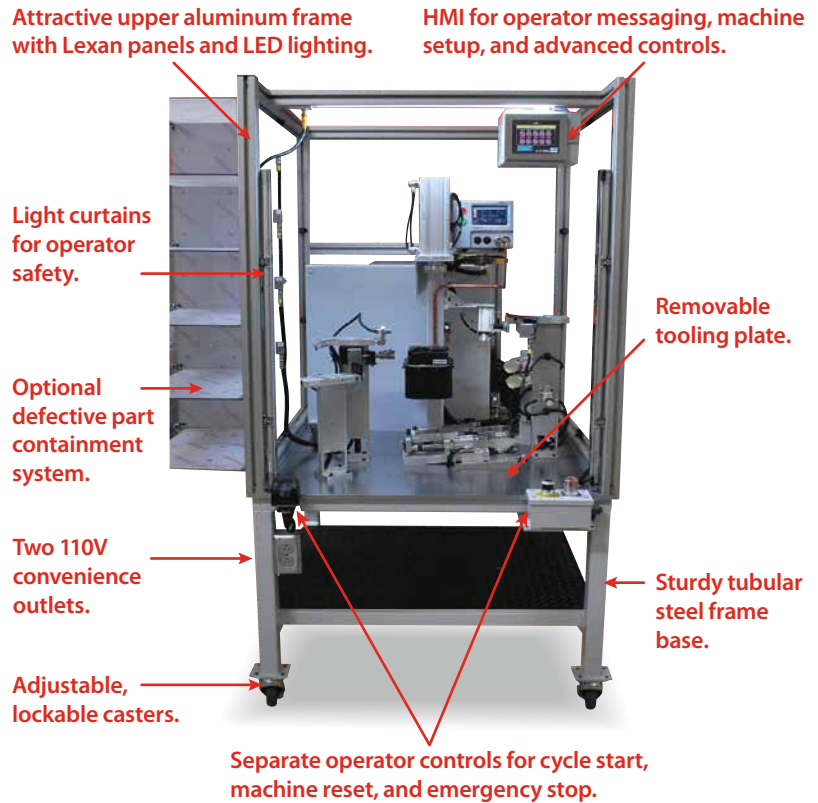
*Note: All sales shall be subject to the Supplier's terms and conditions of sale as described in AMS's quotations and sales contracts.*

The LT-401 may be ordered as base unit only to accept the user's custom fixturing, or as a complete system, tooled and ready to run. Please call or email for pricing.

**Base Unit Includes:** Keyence light curtain, Allen-Bradley buttons, Omron PLC, SMC pneumatics, Proface HMI, Z-Axis Isaac Multifunction Leak Tester.

### Options

**Available Options Include:** Lexan containment system



Automated  
Machine  
Systems, Inc.

513-771-3525 • [ams-machines.net](http://ams-machines.net)  
10525 Chester Rd., Unit 3 • Cincinnati, Ohio 45245